

IMPORTANT !

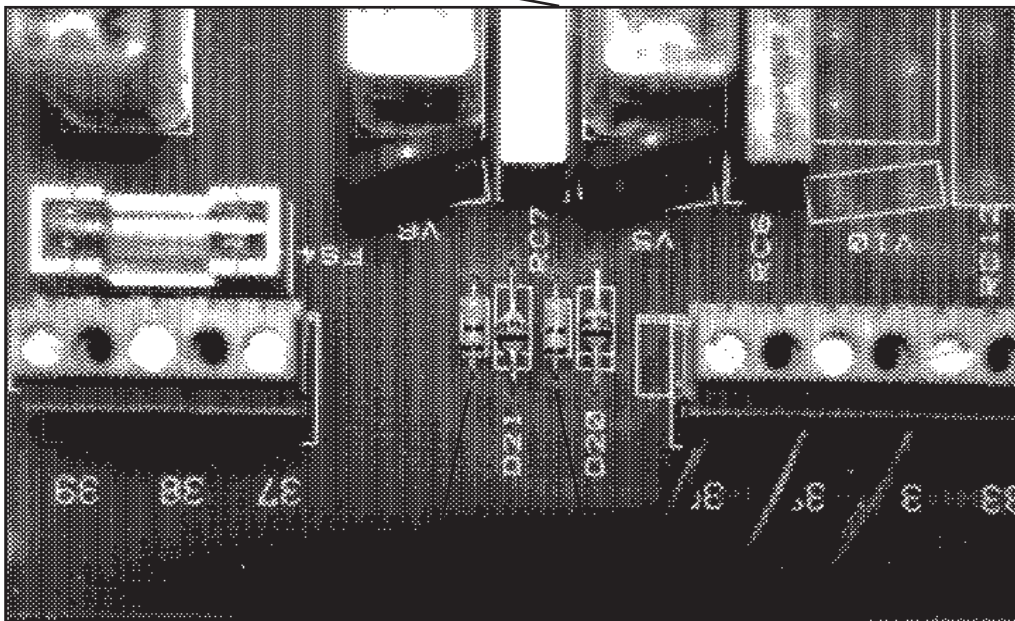
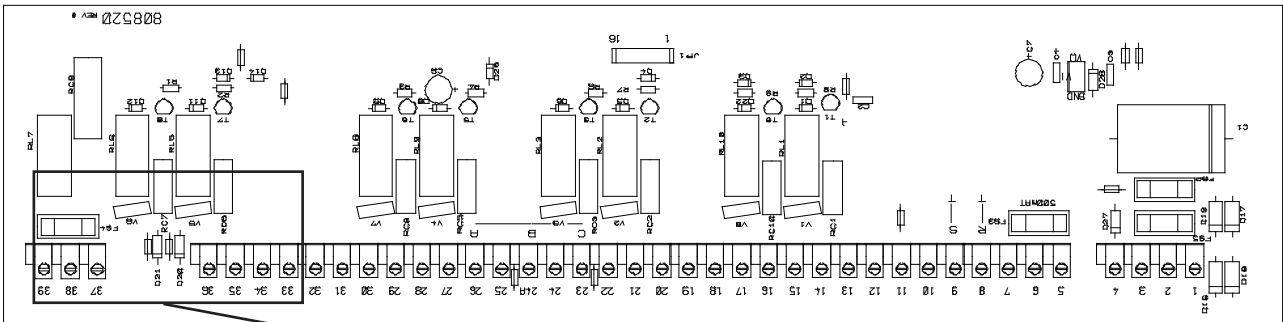
This replenish pump has no diode built in as the previous pumps.

Therefore it is necessary to cut the respective short circuit-resistor on the Relay PCB (**Not necessary on processor with microprocessor control**).

If the pump is going to replace the developer pump, cut the short circuit-resistor on the left hand side of diode D20 on the Relay PCB.

If the pump is going to replace the fixer pump, cut the short circuit-resistor on the left hand side of diode D21 on the Relay PCB.

The ground wire must be connected to the ground connection on the pump-chassis.



Fixer

Developer