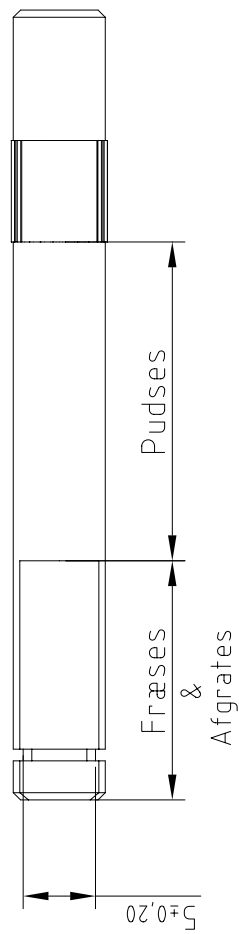
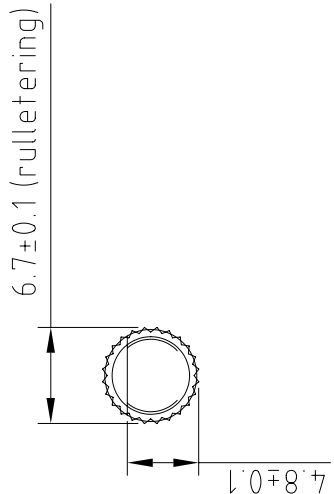
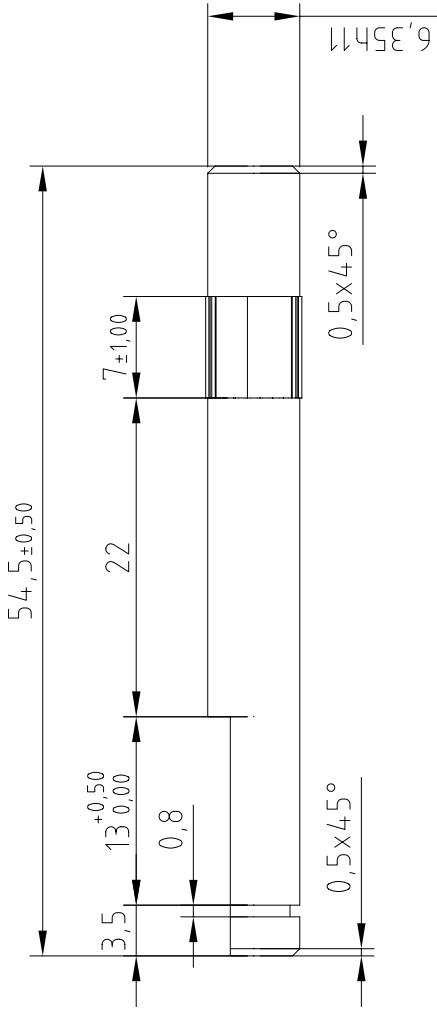
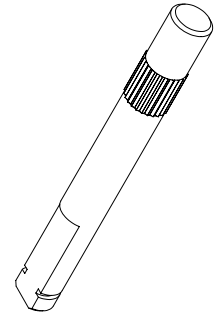


1 2 3 4



B - KÆ 6651 - Overflade ændret - 21.09.99/LB
 A - KÆ 3882 - Mål 20mm ændret til 22mm - 21.03.94/HS

This Document contains proprietary data of Echo Graphic.
 No information, reproduction or use of any part thereof may be used without written permission.

Tolerance unless otherwise specified : machined surfaces DS 2768-1
 measurements under 120mm after folding ±0.5

More Than	Incl.	Tol. ±	Surface Treatment :
(0.5)	6	0.1	Vibrations afgratning
(6)	30	0.2	
(30)	120	0.3	
(120)	315	0.5	
(315)	1000	0.8	
(1000)	2000	1.2	

Echo Graphic

Håndværkervej 2-6
 DK-9560 Hadsund Danmark
 Telefon 98571955
 Telefax 98571591

Drawn : HS Date : 21.03.94 Scale : 2:1

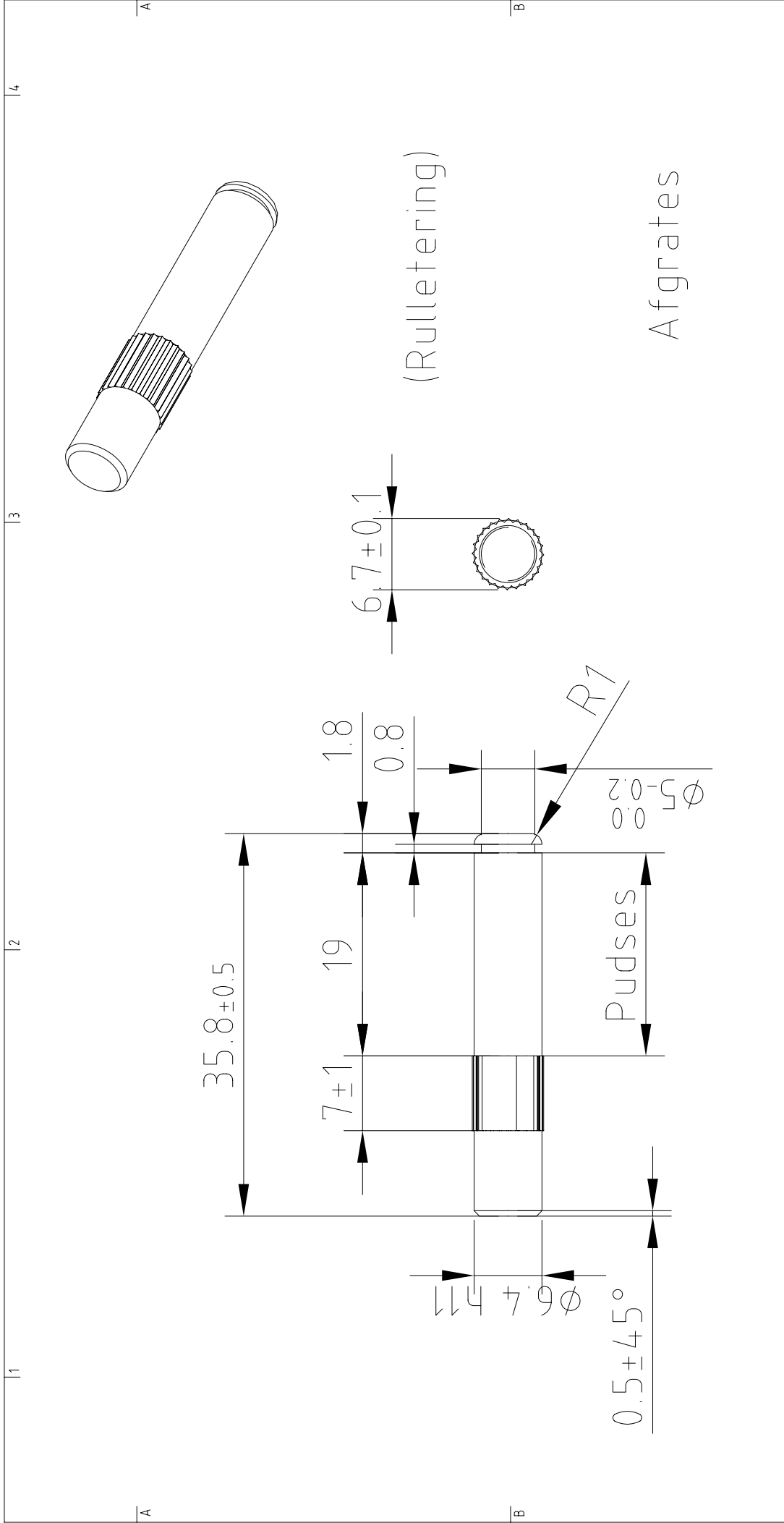
K.nr :

Name : D-Axle
 3. generation

Drawing no. :

276044

B



<p>This Document contains proprietary data of Echo Graphic. No information, reproduction or use of any part thereof may be used without written permission.</p>		<p>Designer : HS</p>		<p>Drawn : HS</p>		<p>Date : 21.03.94</p>		<p>Scale : 2:1</p>	
<p>Tolerance unless otherwise specified : machined surfaces DS 2768-1 measurements under 120mm after folding ± 0.5</p>		<p>Surface Treatment : Blanktrukket</p>		<p>Material : $\phi 1/4''$ RF AISI 316</p>		<p>Name : Ø-Axle 3. generation</p>		<p>K.nr : Drawing no. : 276034</p>	
More Than	Incl.	Tol. \pm							
(0.5)	6	0.1							
(6)	30	0.2							
(30)	120	0.3							
(120)	315	0.5							
(315)	1000	0.8							
(1000)	2000	1.2							

Echo Graphic

Håndværkervej 2-6
DK-9560 Hadsund Danmark

Telefon 98571955
Telefax 98571591

Scale : 2:1

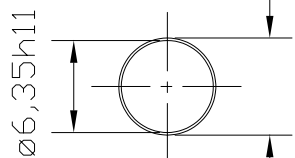
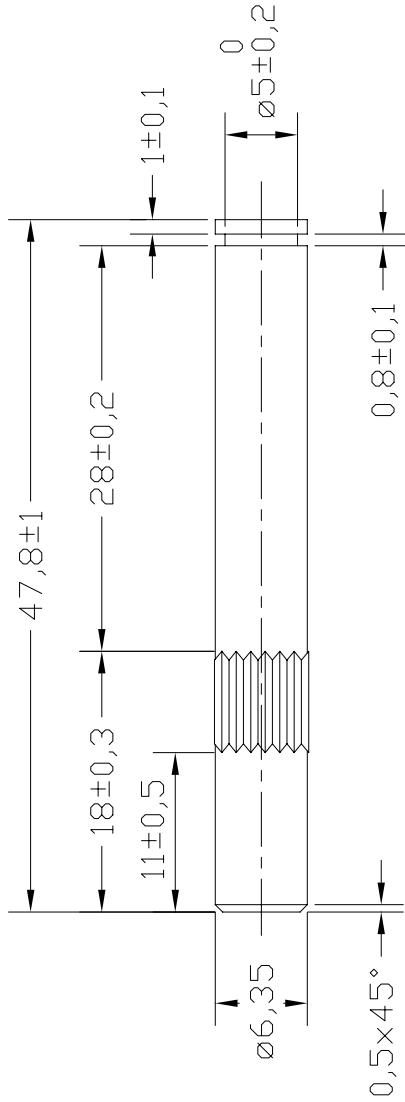
Drawn : HS

Date : 21.03.94

Name : Ø-Axle
3. generation

K.nr :
Drawing no. :
276034

B



Rulletering $\varnothing 6,7 \pm 0,1$

A - KÆ 4323 - Nytegnit/ mål 0,7 (yderste stykke) ændret til 1mm - 2-12-94/HS

This drawing is our property and is handed to you for your personal information only. The original or copies must not be handed over to any other person without our written permission.

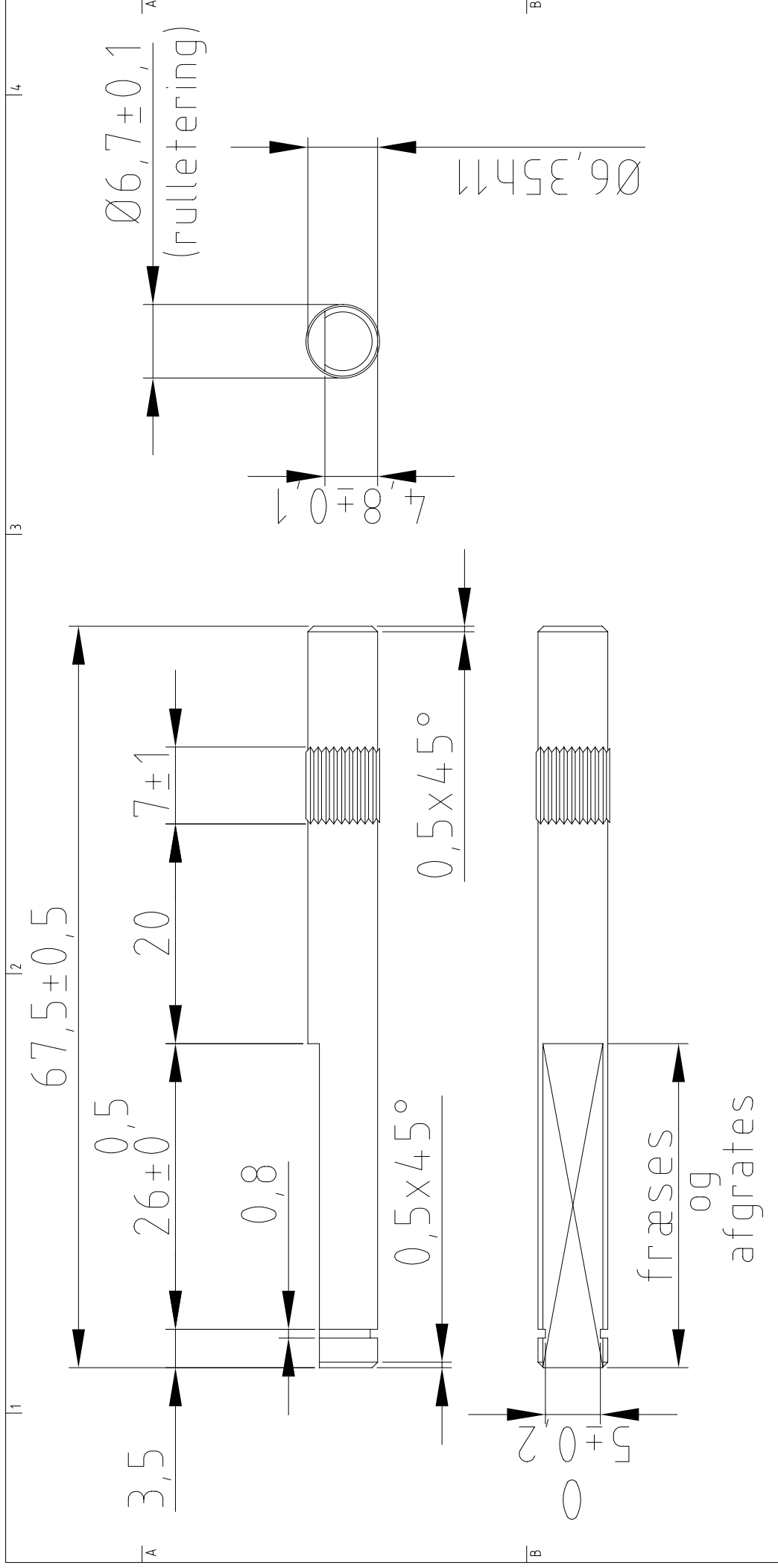
Echo Graphic

Håndværkervej 2-6
DK-9560 Hadsund Danmark
Telefon 98571955
Telefax 98571591



Tolerance for machined surface unless otherwise specified DS 2075-2

More Than	Incl.	Tol.	Surface Treatment :	Designer :	Date :	Scale :
(0.5)	6	±		HS	25-3-80	2:1
(6)	30	0.1			gentegnet 2-12-94	
(30)	120	0.2				
(120)	315	0.3				
(315)	1000	0.5				
(1000)	2000	0.8				
		1.2				
Material :				Name :		
SYREFAST RF 316				Ø-AXLE 1/4"X47,8		
				LONG		
				Drawing no. :		
				235184		
				Div. :		
				A		



A-KÆ-6649-Emnet er gentegnet i Acad samt overflade ændret 30-9-98/LB

<p>This Document contains proprietary data of Echo Graphic. No information, reproduction or use of any part thereof may be used without written permission.</p>		<p>Tolerance unless otherwise specified : machined surfaces DS 2768-1 measurements under 120mm after folding ± 0.5</p>	
<p>More Than</p>		<p>Incl. Tol. \pm</p>	
(0.5)	6	0.1	
(6)	30	0.2	
(30)	120	0.3	
(120)	315	0.5	
(315)	1000	0.8	
(1000)	2000	1.2	

<p>Surface Treatment : Vibrations afgratning</p>		<p>Designer : BD</p>	
<p>Material : $\emptyset 1/4"$ RF Aisi 316</p>		<p>Name : D-Axle, long f. Gearwheel hell, 24"</p>	

<p>Scale : 2:1</p>	
<p>K.nr :</p>	
<p>Drawing no. : 276084</p>	
<p>A</p>	

<p>Echo Graphic</p>	
<p>Håndværkervej 2-6 DK-9560 Hadsund Danmark</p>	
<p>Telefon 98571955 Telefax 98571591</p>	
<p>Drawn : HS</p>	<p>Date : 11-8-88</p>