

# SERVICE BULLETIN

Date: 28 November 2001

No. 30

## New Guides

With the introduction of new types of film and chemistry it is often possible to reduce the processing time. Unfortunately, we have experienced that the new types of chemistry react easily and quickly to air. This can lead to crystallisation, silver build-up as well as dirt deposits on the top inlet roller of the fixer rack.

In order to remedy this Echo Graphic has adjusted the crossing between the developer- and fixer rack, which now works as a wet crossing (wet cross-over). This crossing is already used between Echo Graphic's unitrack racks. When using wet crossing it is possible to reduce the cleaning frequency and still obtain an improved processing result. When processing extremely thick or very soft/sensitive film you may experience transport instability.

Echo Graphic offers wet crossing kits for the following processors:

EG 750/R2 rack (75 cm) 316617  
EG 751/R43 rack (75 cm) 129659

EG 900/R2 rack (90 cm) 320617  
EG 901/R43 rack (90 cm) 136659

Until 1 April 2002, above kits are available at an introduction price of EURO 100.- Please remember to state the serial number of the processor when ordering.

From October 2001 all EG 900 and EG 1140 processors are delivered with wet crossing.

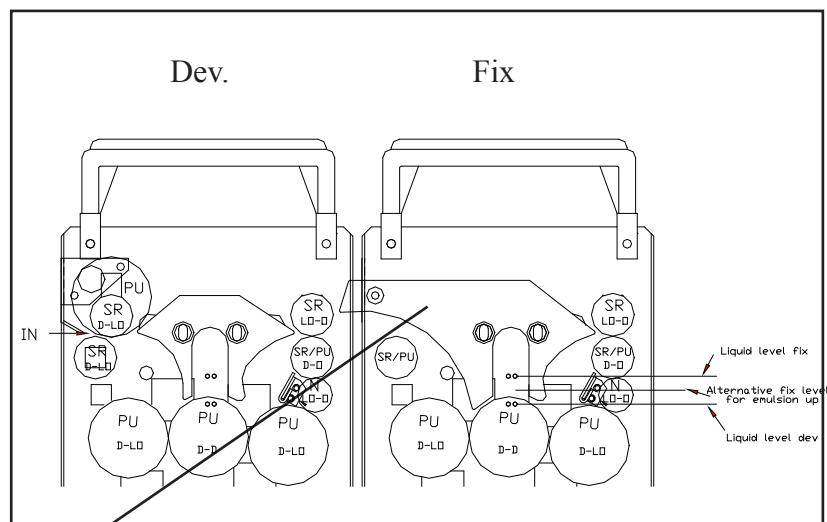
To order the above kits or for additional information please contact Echo Graphic:

### **Echo Graphic A/S**

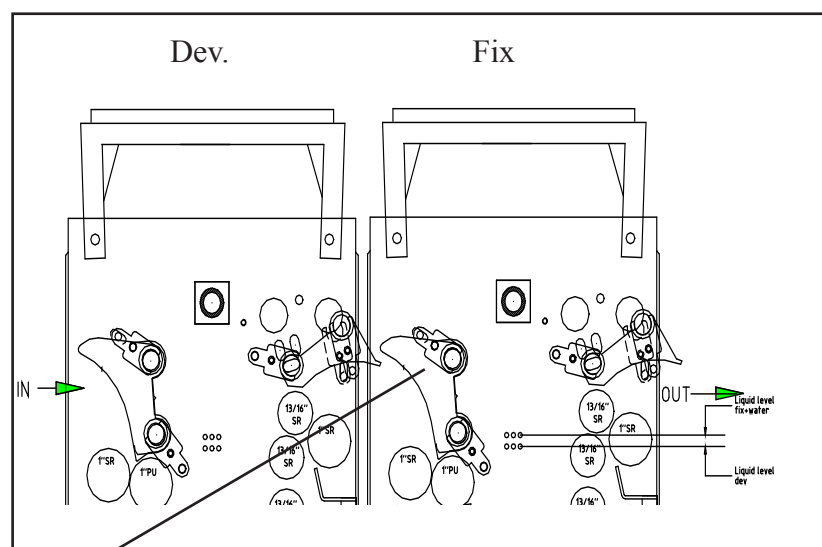
Tlf.: +45 9857 1955

Fax: +45 9857 1591

E-mail: [info@echographic.dk](mailto:info@echographic.dk)



*Rack drawing R2 - position of the new guide*



*Rack drawing R43 - position of the new guide*