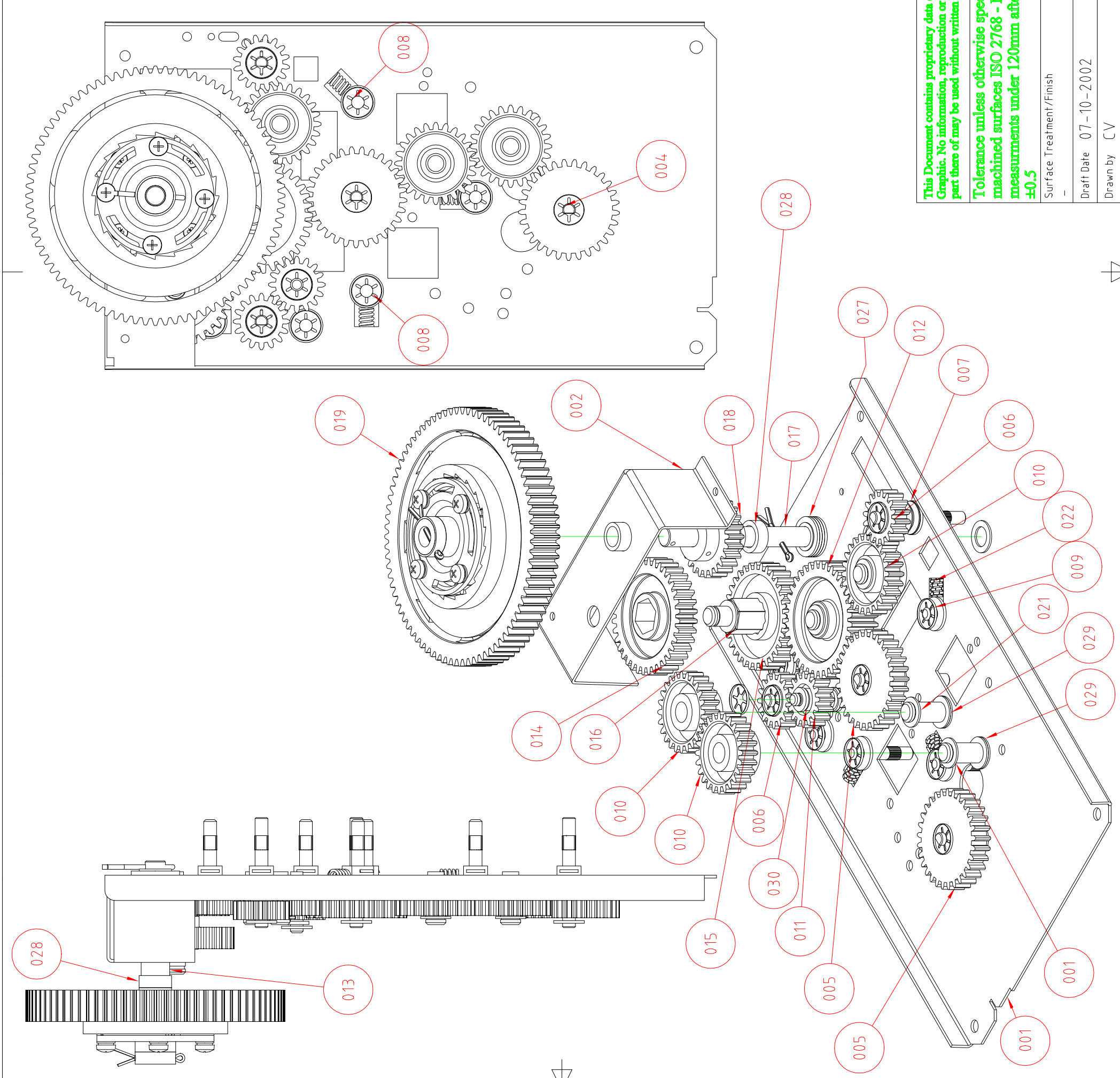


Parts List x = assembly drawing exists

Pos.	Dwg/part nr. x	Title	Pcs.
001	316352	Rackside EG R2 left	1
002	316354	Bearing bracket f.drivaxle w.	1
003	217184	1/4"x12x12 BEARING	9
004	276044	D-Axle 3. generation	4
005	65266	Gearwheel 30-T 1/4 In - D	2
006	65270	Gearwheel 16-T 1/4 In D	2
007	65274	Pulley 1/4" - $\phi$	4
008	276034	$\phi$ -Axle 3. generation	5
009	117337	Starlock 1/4" stainless	10
010	217164	Gearwheel 24-T 10,2 $\phi$	3
011	217366	Gearwheel 16T $\phi$ 1/4" W12,2	1
012	65283	Gearwheel 36-T $\phi$ 10,2 MM	1
013	217040	Bearing $\phi$ 10.15 x 10	2
014	117518	36T Gearwheel NV16	1
015	117528	Gear wheel 32-T NV 16	1
016	275154	Connector NV 16	1
017	316064	Drive axle $\phi$ 10x100.5 f.EG750	1
018	276154	Gearwheel 24-T 10,2 $\phi$	1
019	68325	$\times$ Torque Clutch 80T/10 $\phi$ Compl.	1
020	65188	Cotter Pins 2.5 $\phi$ A4 Din 94	2
021	88246	Lock Disc 15x9,5x1MM	4
022	155584	Spring F.Airguide HD Dry	3
023	65557	Disc 10 $\phi$ x16x1 Nylon	4
024	88201	Spring Washer 4MM A4 Din 127B	1
025	88216	Flatwasher 10x21x2mm A4 D.125	2
026	88311	Screw Mg 4x8 A4 Din 963	1
027	65558	Disc Isolit 1/2 In $\phi$	4
028	217007	$\phi$ 11/16x6 Plastic spacer	4
029	65557	Disc 10 $\phi$ x16x1 Nylon	12
030	88251	Disc Nylon $\phi$ 6,4x12x1	3



This Document contains proprietary data of Echo Graphic. No information, reproduction or use of any part there of may be used without written permission.

Tolerance unless otherwise specified :  
 machined surfaces ISO 2768 - M  
 measurements under 120mm after folding  
 $\pm 0.5$

$\phi$	>	0.5	6	30	120	400	1000	2000	4000
	$\leq$	0.1	0.2	0.3	0.5	0.8	1.2	2.0	
	+								

**Echo Graphic**

Echo Graphic A/S Phone int.: +45 98 57 19 55  
 2. Håndværkervej Fax int.: +45 98 57 15 91  
 DK 9560 Hadsund e-mail: info@echographic.dk  
 www.echographic.dk

Surface Treatment/Finish	-
Material	-
Size	A3
Sheet Number	1
Scale	1:2
Draft Date	07-10-2002
Drawn by	CV
DWG NO	316515
REV	-

